

COMET SAFE - E1



TECHNICAL DIMENSION & DETAILS

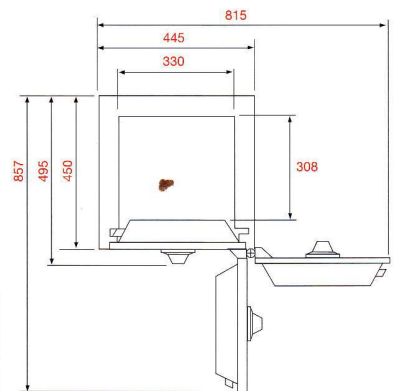
Details:	W	D	H
External (mm)	445	450	560
Internal (mm)	330	308	445
Capacity Litres		46	
Net Weight Kgs		180	
Body Thickness mm		60	
Door Thickness mm		50	
Boltworks	25mm Diameter - 3 nos		
Locking	3 wheel combination lock and 1 keylock		

The Comet Safe

The Comet Safe is a medium-duty security safe designed to provide basic protection for your valuables and documents against theft and fire. It is most suitable for home, office and retail shop.

OPENING DETAIL

OVERALL DEPTH A mm	495
DOOR OPENING 90 B mm	857
DOOR OPENING 180 C mm	815



Key Features:

- The body and door is constructed using high quality steel and fire resistive material to provide solid protection
- The front edge of the door is secured by 3 moving bolts and a full rebate runs on the back edge of the door, each of the door, each bolt measures 25mm diameter
- Standard double locking system consists of one keylock and one 3 wheel combination lock
- The safe comes with 2 adjustable shelves inside, alternatively the user can remove the shelves to put in vertical files
- The safe is painted with durable and scratch resistant epoxy paint

