

Fortress Safe is specially designed using improved burglar and fire resistant materials of high density and strength for the protection of important documents, cash and valuables against burglary and fire.



# Fortress Safe

burglar resistant safe

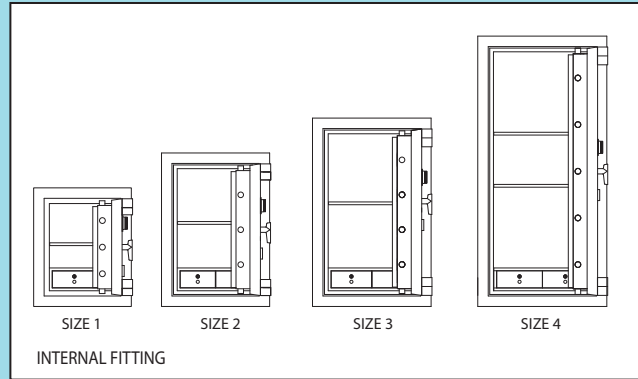
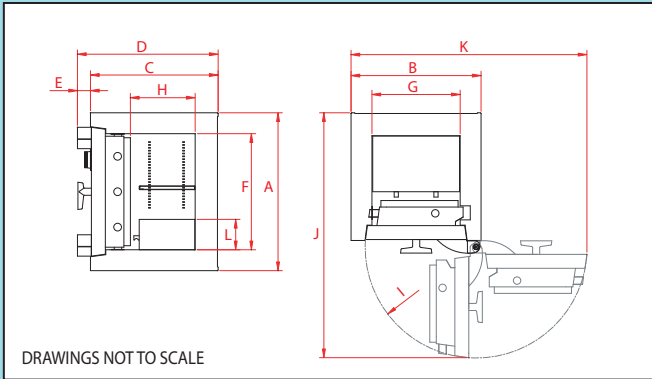
## Features

- **Body** - The body consists of inner and outer plates enclosing a seamless casting of Chubb safes **CENTRIX I** specially formulated barrier material, solidly forming a monolithic structure that is consistent in strength. Its overall thickness of 90mm provides a formidable barrier to potential attacks in addition to its fire resisting properties.
- **Door** - The door has an overall thickness of 138mm with an effective thickness of 30mm filled with Chubb safes **CENTRIX I** specially formulated steel fibre barrier material to increase the overall strength. For additional fire protection, a steel pan filled with fire resistant material is secured to the back of the door. The door is secured by 3-way moving steel bolts measuring 32mm in diameter. A full length docking bolt secures the back edge of the door.
- **Locking** - Fitted with a 3-wheel Keyless Combination Lock protected by a Glass Relocker and a 8-lever Key Lock protected by a drill resistant manganese steel plate. Both locks operate independently of each other. The Relocker is further protected by a plate embedded with Tungsten Carbide pins. This further strengthens the drill resisting qualities of the Relocker.
- **Fire Resistance** - Tested in accordance to Section 8.5 of the Japanese Industrial Standard JIS S1037-1981 for a 60 minutes fire rating.
- **Fitting** - The safe comes with a standard internal steel shelf, adjustable at intervals to suit individual customer requirements. Internal drawers are also made of steel and are individually secured by a key lock with keys in duplicate.
- **Finish** - An Polyurethane base paint finish is used to coat the body and door. The paint is both scratch resistant and durable.

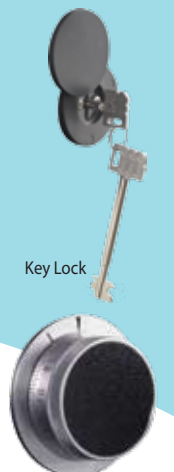


## Product Specifications

| Size | External (mm) |           |           |                                |                          | Internal (mm) |           |           |                |                            |                                   |                   | Nett weight (Kg) | Gross weight (Kg) | Capacity (Litres) | No. of Front Bolts | No. of Shelf |
|------|---------------|-----------|-----------|--------------------------------|--------------------------|---------------|-----------|-----------|----------------|----------------------------|-----------------------------------|-------------------|------------------|-------------------|-------------------|--------------------|--------------|
|      | (A) Height    | (B) Width | (C) Depth | (D) Clear depth over furniture | (E) Furniture Projection | (F) Height    | (G) Width | (H) Depth | (I) Door swing | (J) Depth with door at 90° | (K) Width when door is fully open | (L) Drawer height |                  |                   |                   |                    |              |
| 1    | 680           | 560       | 520       | 576                            | 56                       | 500           | 380       | 270       | 478            | 1025                       | 1016                              | 130               | 360              | 400               | 51                | 3                  | 1            |
| 2    | 880           | 620       | 580       | 636                            | 56                       | 700           | 440       | 330       | 538            | 1145                       | 1136                              | 130               | 515              | 563               | 102               | 3                  | 1            |
| 3    | 1080          | 680       | 640       | 696                            | 56                       | 900           | 500       | 390       | 597            | 1264                       | 1254                              | 130               | 670              | 738               | 176               | 4                  | 1            |
| 4    | 1550          | 740       | 870       | 926                            | 56                       | 1370          | 560       | 620       | 658            | 1555                       | 1376                              | 130               | 1215             | 1300              | 476               | 5                  | 2            |



Fortress Safe Size 1



Keyless Combination Lock

### Keyless Combination Lock

Secured by one 3-wheel combination lock listed under UL Group 2, VdS class 1, Cen A, A2PA. Capable of 1,000,000 changes of code. The operation of this lock is simple. The code can be changed easily and security can be maintained over the safe whenever there is a change of staff.

### Key Lock

Secured by one 8-lever double bitted Key Lock certificated under EN 1300 A, ECB-S, CNNP a2p (E) Niveau A, VdS class 1, GOST class B, IMP class A, UL 437.

## Options

- **Night Drawer Trap (NDT)** - Allow for effective deposit of cash and documents through a secured drawer without having to open the safe's main door. Upon closing the drawer, the contents would fall into the safe. An "Anti-Fishing Plate" is also incorporated to protect against 'fishing' attempts to remove the safe's content through the Trap.  
**Drawer Clear Opening** : 239mm (W) x 153mm(H) x 125mm (D)  
**Night Drawer Trap External Height** : 254mm
- **Envelope Slot** - Specially designed with a slit (13mm W x 152mm L) on the top face of the safe to facilitate easy and convenient deposit of small amount of cash and other less bulky documents without having to open the safe. Like the NDT, an "Anti-Fishing Plate" is installed to protect against 'fishing' attempts.
- An alarm kit may be incorporated into the safe for possible connection to the premise's main alarm system.
- A Blinder Shield and Dial Check Lock can be fitted to the combination lock as an option.
- A choice of two or three movement timelocks (*restricted to size 3 and size 4 only*) may also be fitted as an additional requirement. Other electronically operated locks may also be fitted as an option.

Authorised dealer: